

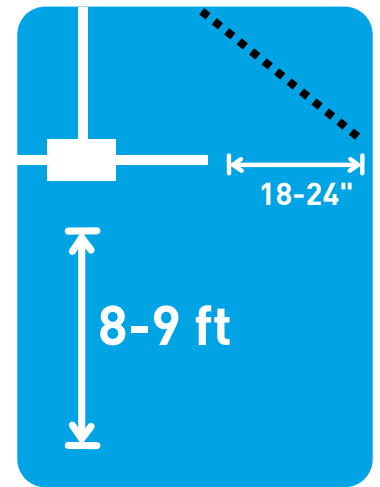
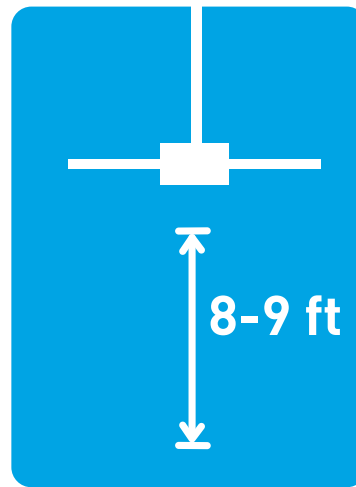
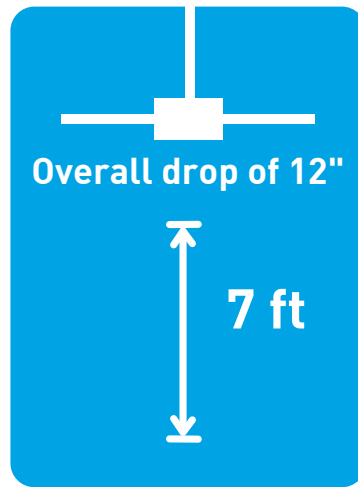
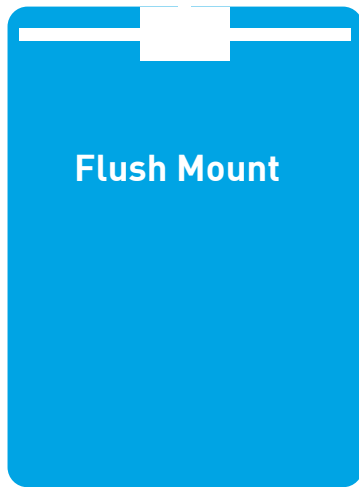
Ceiling Drop Recommendations

Ceilings less than 8'

Standard 8' Ceilings

High Ceilings

Sloped Ceilings

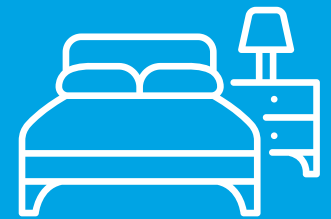


*All placements require a minimum of 7' of clearance from the bottom of the fan to the floor.

Fan Size Recommendations

62-inch Fans:

Perfect for medium to large 225-325 sq. ft. rooms, such as living rooms, offices, or master bedrooms.



72-inch Fans:

Ideal for 325-400 sq. ft. spaces including dining rooms, living rooms, and large open-concept areas.



84-inch Fans:

Designed for expansive 400+ sq. ft. areas like covered patios, great rooms, and even commercial spaces.



Additional considerations

- Hang at least 39 inches from other fixtures.
- Center the fan in the room for balanced air circulation.
- For larger rooms, consider installing multiple fans to ensure comprehensive coverage and improved airflow. This is particularly beneficial in irregularly shaped spaces.